

Mustang Aluminium Front Doors

Laminated glass



Exceptional thermal performance with a U-Value of 1.4 W/m²K

RAL 7016
Anthracite Grey

GU Automatic
Slamshut Lock

Brushed Silver
Round Pullbar

Low aluminium threshold
with cill

Stainless Steel Inserts

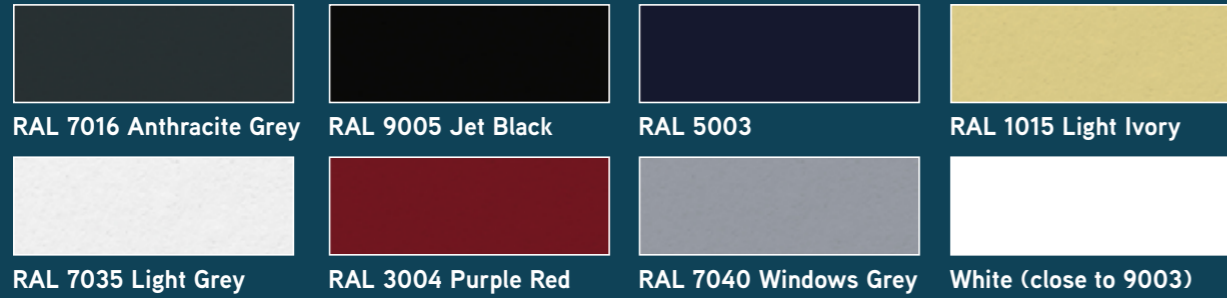
Stevenswood
SORTED ✓



MUSTANG
DOORS

STANDARD RAL FINISHES AVAILABLE

These seven colours are available in a choice of a textured or matt finish (both external and internal sides must be the same finish)



Dual colour options (no other combination or finishes are offered) White Matt on White Matt (there is no white textured paint finish)

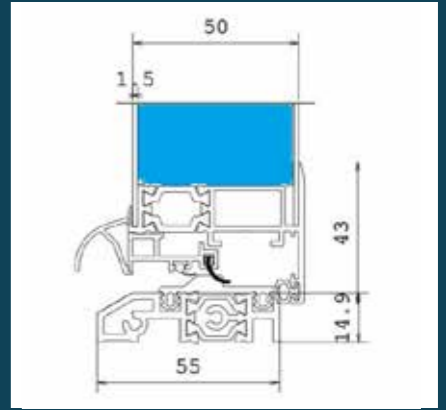
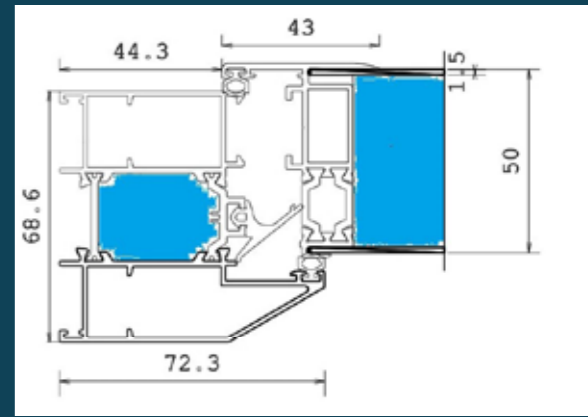


If you cannot find the colour you are looking for, please ask to see our full range of RAL finishes available. Colours shown are for illustrative purposes only.



2D Brushed Silver Hinges (x3)

Internal Brushed Steel Lever Handle



Chamfered Frame (Curved Frame is available)

Standard Specification Includes:

- 1.5mm Aluminium Skin
- 42 Designs
- External Round Pullbar, brushed silver, choose from three lengths: 600mm, 1200mm or 1800mm long
- GU Automatic Slamshut Lock
- Double glazed laminated safety glass
- Satin or Clear
- Internal brushed steel lever handle
- Dog Bolt Assembly
- 2D Brushed Silver Hinges (x3)
- Security Cylinder With 3 Keys
- Colour Matched Drip Bar
- U-Value 1.4 W/m²K

Dimensions

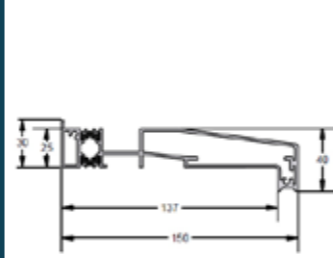
- Minimum door width 850mm
- Maximum door width 1000mm
- Minimum door height 1950mm
- Maximum door height 2150mm

Side Lights Minimum width 250mm
Maximum width 1000mm

Top Lights Minimum height 250mm
Maximum height 1000mm

EXTRAS (not included in standard specification):

- Glazed sidelight or toplight
- Letterplate, brushed steel
- Spyhole, brushed steel
- Winkhaus 5 point lock with 4 hooks (PAS 24 option)
- Lever/Lever handle (only available when combined with the Winkhaus 5 point locking system)
- Electric daylatch (only available when combined with the Winkhaus 5 point locking system)



Cill Options

150mm Cill (25mm high) available in RAL 7016 Textured or Matt, RAL 9005 Textured or Matt, RAL 9016 Textured or Matt, Anodised Silver

15mm Black Packer



GU Automatic Slamshut Lock

Always locked, always secure - a slamshut lock offers full peace of mind. The moment your door is closed, the two spring-loaded bolts, plus the central latch shoot into place. The door can be opened internally simply by depressing the lever handle. From the outside, entrance is gained with one full spin of the key.



Winkhaus 5 Point Lock

Four impressive hooks, plus the central deadbolt operate effortlessly when turning the key in your Mustang door. The five-point design offers an additional layer of security when the door is fully locked. To fully comply with our PAS 24 accreditation, configure your door with this locking system and an external pullbar.

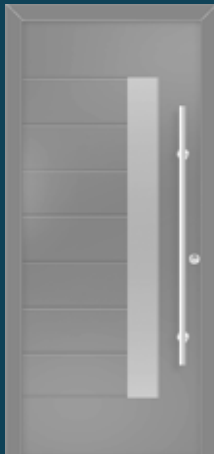


*Delivery to most parts of the UK. Please speak to our office for more information.

MD 1141



MD 1142



MD 1155



MD 1170



MD 1175



MD 1180



MD 1185



MD 1190



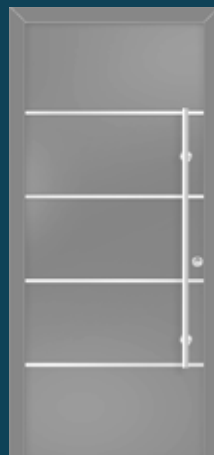
MD 1195



MD 1306



MD 1310



MD 1355



MD 1651



MD 1654



MD 1712



MD 1715



MD 1717



MD 1736



MD 1740



MD 1765



Please visit our website at www.stevenswood.co.uk to find your local trade counter.



MUSTANG DOORS

Other model designs are available.