

Account code

Company Name

Phone Number

Email

Please circle what is applicable

Reference -

Project Type -  Replacement  Extension  New build

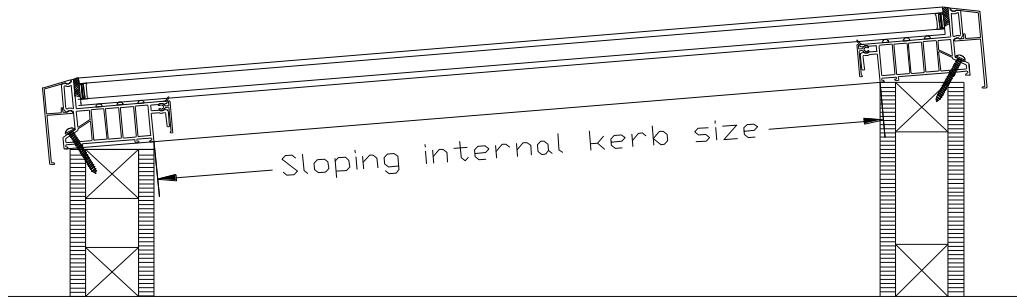
Profile Colour	
External	Internal
Stock White	Stock White
Stock Grey 7016m	Stock Grey 7016m
Stock Black 9005m	Stock Black 9005m
Non Stock Ral	Non Stock Ral
Non Stock Ral colour	
External RAL:	Finish
Internal RAL:	Finish

Double Glazed - 6/16/6 (28mm units)	
Standard clear tough/Low e (U value 1.0W/m2K)	<input type="checkbox"/>
Activ neutral solar/Low e (U value 1.0W/m2K)	<input type="checkbox"/>
Activ blue solar/Low e (U Value 1.0W/m2K)	<input type="checkbox"/>
Spacer Bar	
Black aluminium spacer - no silver perimeter line visible	<input type="checkbox"/>
Black warm edge: Note a silver line is visible externally	<input type="checkbox"/>

### FLAT ROOFLIGHT FORM

Dimensions shown are all:	Internal <input type="checkbox"/>	Kerb Width: <input type="checkbox"/>	<b>Kerb Width:</b> <b>80mm excluding plasterboard</b>	
Note: Dimensions of width is taken as the internal slope of the kerb				
Remarks:				

DEPTH	WIDTH
Internal Kerb size	width is internal sloping side



SIDE ELEVATION (WIDTH)



FRONT ELEVATION (DEPTH)

**Please note the Atlas Rooflight must be installed at a minimum pitch of 5 degrees.**

Account code

Company Name

Phone Number

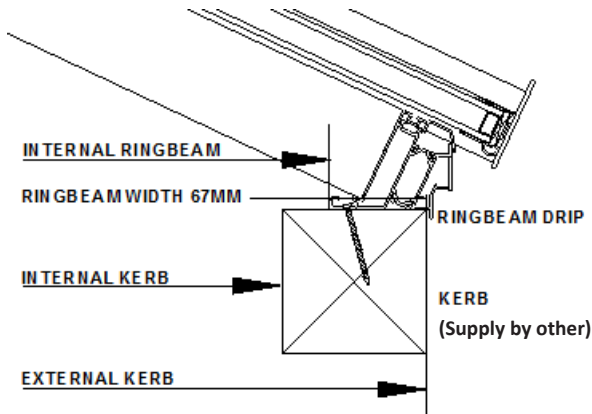
Email

Please circle what is applicable

Reference -

Project Type -  Replacement  Extension  New build

Please Circle Items Required	Please Circle Items Required
<p><b>Style:</b> Contemporary / Regular / Square</p> <p><b>Colour:</b> White / Grey (7016M) / Black (9005M) / Black on White / Grey on White</p> <p><b>Pitch:</b> 25 Degrees / Other .....</p> <p><b>Glass:</b> Double - 24mm / Triple 44mm</p> <p><b>Glass Type:</b> Self Clean Solar Blue / Self Clean Solar Neutral</p>	<p><b>Roof Vent Qty:</b> _____ <b>Spindle colour:</b> Chrome / Brass (Regular Lanterns Only)</p> <p><b>Roof Vent Type</b> (note: aluminium external - PVC internal):</p> <p>Manual with pole</p> <p>Electric - wall rocker switch</p> <p>Electric - Rain Sensor &amp; Therm. Control Analogue</p> <p>Electric - Rain Sensor &amp; Therm. Control Digital</p>



**External Ringbeam Dimension: (max size 2500 x 4000mm)**

Width: \_\_\_\_\_ Length: \_\_\_\_\_

**Aluminium Cill: None / 150mm / 190mm / 225mm**

Please sketch lantern requirement below (plan view) showing roof vent positions if applicable;