

Account code

Company Name

Phone Number

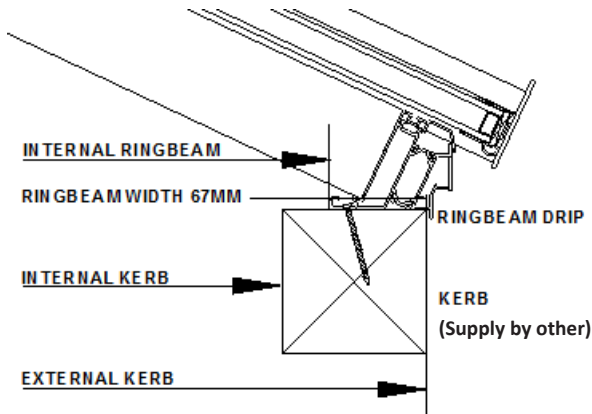
Email

Please circle what is applicable

Reference -

Project Type -  Replacement  Extension  New build

Please Circle Items Required	Please Circle Items Required
<p><b>Style:</b> Contemporary / Regular / Square</p> <p><b>Colour:</b> White / Grey (7016M) / Black (9005M) / Black on White / Grey on White</p> <p><b>Pitch:</b> 25 Degrees / Other .....</p> <p><b>Glass:</b> Double - 24mm / Triple 44mm</p> <p><b>Glass Type:</b> Self Clean Solar Blue / Self Clean Solar Neutral</p>	<p><b>Roof Vent Qty:</b> _____ <b>Spindle colour:</b> Chrome / Brass (Regular Lanterns Only)</p> <p><b>Roof Vent Type</b> (note: aluminium external - PVC internal):</p> <p>Manual with pole</p> <p>Electric - wall rocker switch</p> <p>Electric - Rain Sensor &amp; Therm. Control Analogue</p> <p>Electric - Rain Sensor &amp; Therm. Control Digital</p>



**External Ringbeam Dimension: (max size 2500 x 4000mm)**

Width: \_\_\_\_\_ Length: \_\_\_\_\_

**Aluminium Cill: None / 150mm / 190mm / 225mm**

Please sketch lantern requirement below (plan view) showing roof vent positions if applicable;